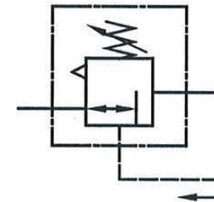
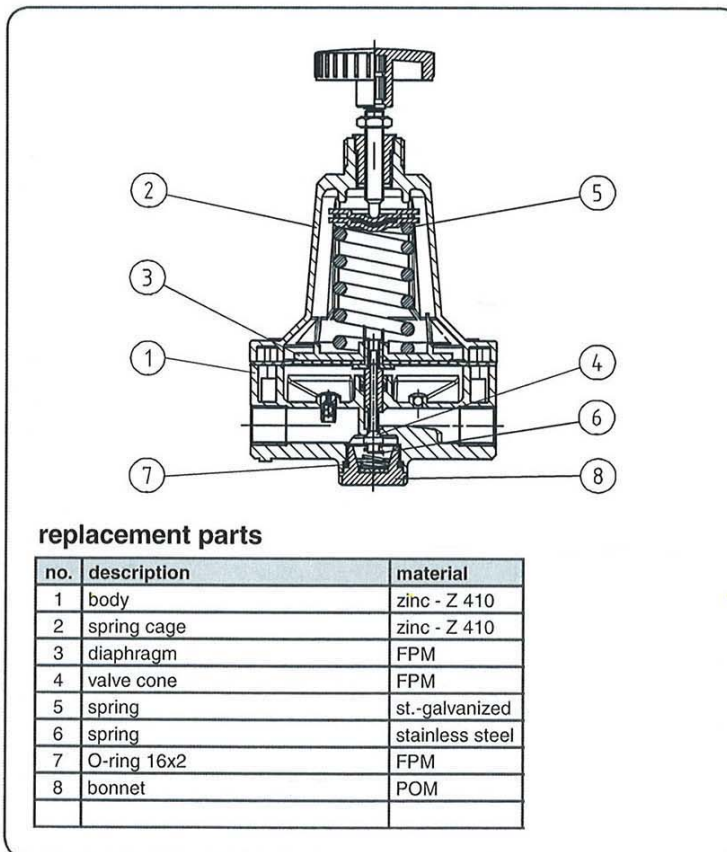


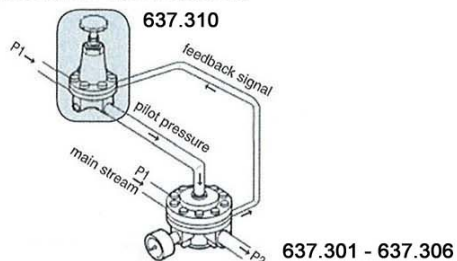
item	type	637.310
port size		G 1/4
medium		compressed air, filtered 5µm + oil-free ⁽¹⁾ , neutral gases
gauge port size		for feedback pressure
description		air line regulator for feedback systems e.g. together with DRI.33 ... 88
mounting		arbitrary
supply pressure		Pe max. 16 bar
reduced pressure		0,2 - 7 bar
air consumption		3 - 6 l/min
medium- and ambient temperature		max. 80 °C (other temperature ranges available upon request)
fixing		panel mounting, mounting diameter ø20,5; bracket
weight		0,850 kg

- ⁽¹⁾ quality class 1 to ISO 8573-1 (Remaining oil content 0,01 mg/m³), fine filter (register 6)

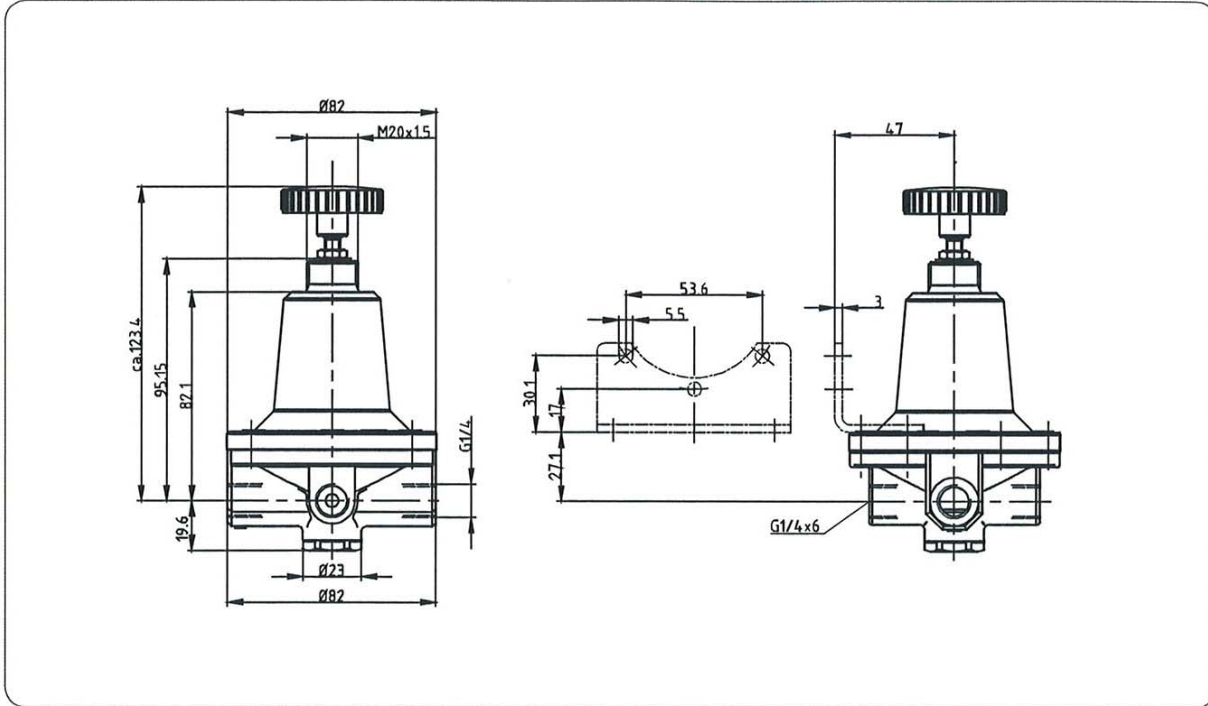


series 3

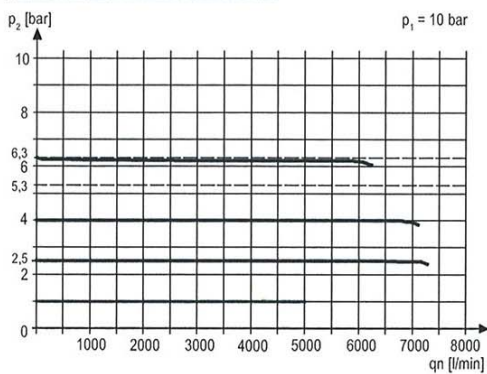
application information



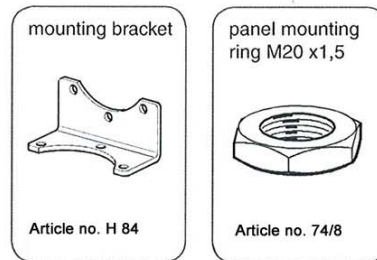
dimensions (mm)



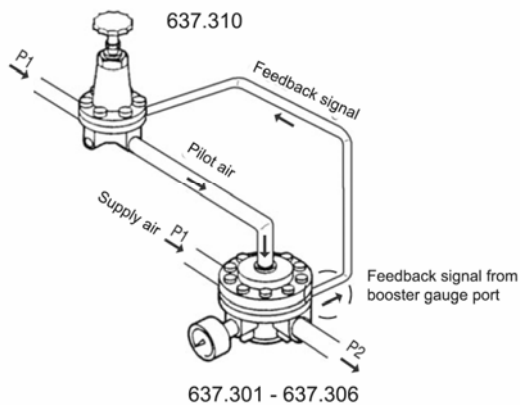
flow characteristics



accessories



Applications: Conventional pilot



Applications: Feedback pilot

